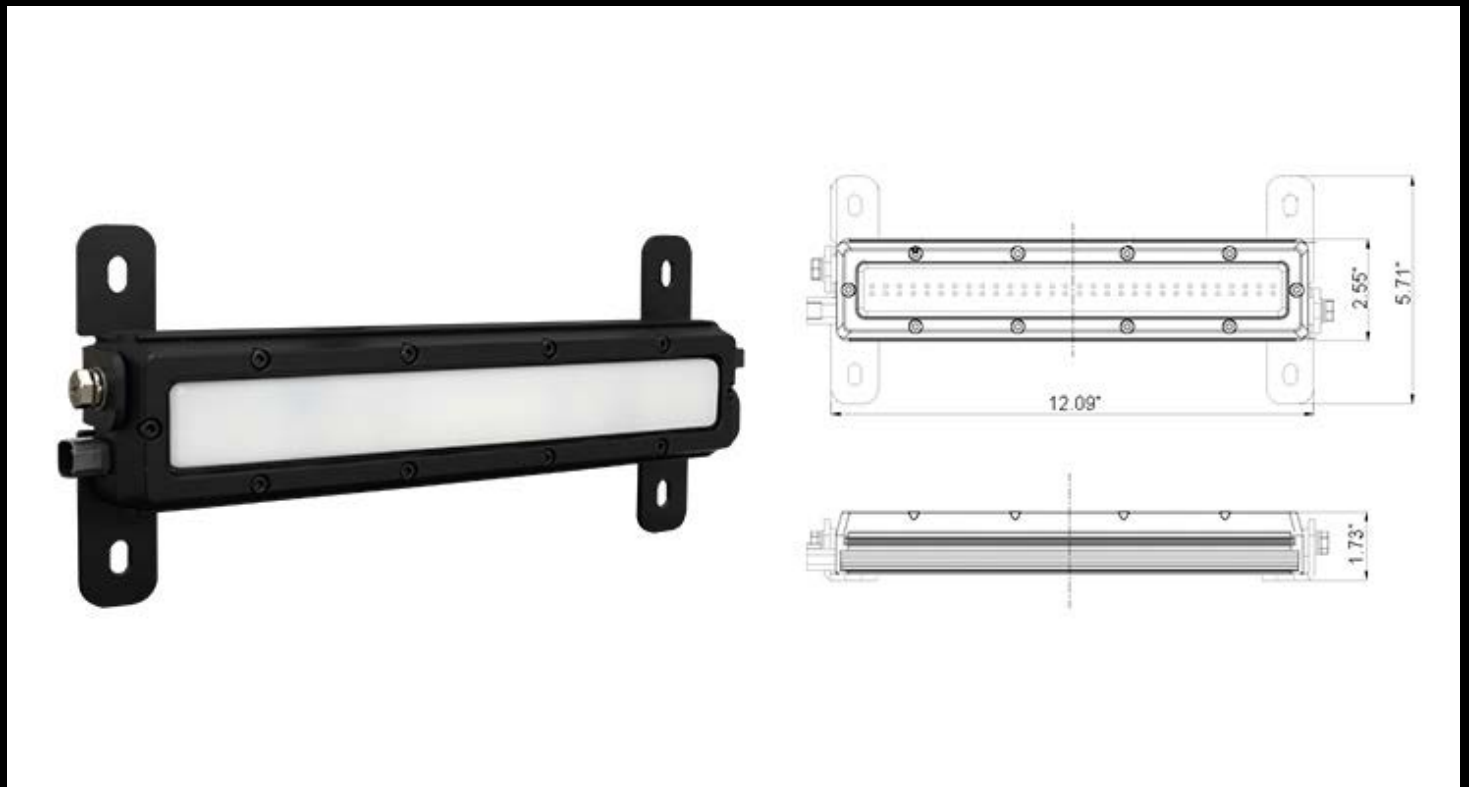


## Shockwave Single Panel LED Light



### Modular LED Upgrade for Fluorescent

The Shockwave provides a durable fluorescent upgrade for flat mount applications. The Single Series offers 120° spread for a full lighting spread.

## Technical Information

PART#	Lens	Raw Lumens	Dimensions	Weight	Wattage
MIL-SWS1210	Clear	850 lm(ea)	300/65/44 mm	1.41 kg	10 Watt
MIL-SWD1210F	Frosted	850 lm(ea)	300/65/44 mm	1.41 kg	10 Watt
MIL-SWD2420	Clear	1,750 lm(ea)	600/65/44 mm	2.8 kg	20 Watt
MIL-SWD2420F	Frosted	1,750 lm(ea)	600/65/44 mm	2.8 kg	20 Watt
MIL-SWD3630	Clear	2,625 lm(ea)	900/65/44 mm	4.17 kg	30 Watt
MIL-SWD3630F	Frosted	2,625 lm(ea)	900/65/44 mm	4.17 kg	30 Watt
MIL-SWD4840	Clear	3,500 lm(ea)	1200/65/44 mm	5.53 kg	40 Watt
MIL-SWD4840F	Frosted	3,500 lm(ea)	1200/65/44 mm	5.53 kg	40 Watt



## Features

- ▶ Integrated Electronic Thermal Management
- ▶ Weatherproof Deutsch Connector
- ▶ Die-Cast Aluminum Housing
- ▶ Polycarbonate Lens
- ▶ Patent Pending