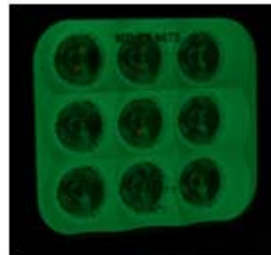
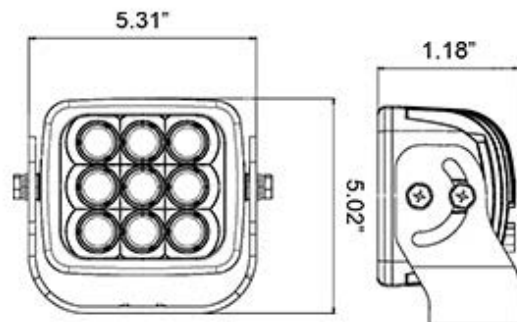


Explorer 9 LED Mobile Light



Latest Generation Standard From Factor Light

The MAR Explorer 9 LED builds upon Mining Lights's Success in the 4" Square form factor light market. Stainless steel bracket with upgraded electronics for marine use.

Explorer Series Usage Guide

Explorer 9: Direct 1 for 1 replacement for HID lighting on vehicles. The 60° beam allows for flood lighting on vehicle while the 40° beam replaces existing spot and low beam lighting

Technical Information

PART#	Beam Pattern	Raw Lumens	Dimensions	Weight	Wattage
MAR-EPX910	10° Narrow	4,752 lm(ea)	135/127.5/30 mm	1.54 kg	45 Watt
MAR-EPX925	25° Medium	4,752 lm(ea)	135/127.5/30 mm	1.54 kg	45 Watt
MAR-EPX940	40° Wide	4,752 lm(ea)	135/127.5/30 mm	1.54 kg	45 Watt
MAR-EPX960	60° Extra Wide	4,752 lm(ea)	135/127.5/30 mm	1.54 kg	45 Watt
MAR-EPX990	90° Xtreme Wide	4,752 lm(ea)	135/127.5/30 mm	1.54 kg	45 Watt
MAR-EPX9E3065	30x65° Elliptical	4,752 lm(ea)	135/127.5/30 mm	1.54 kg	45 Watt



Features

- ▶ CISPR 25 Rated For Marine Use
- ▶ Single Bolt Mounting
- ▶ Stainless Steel Trunnion Bracket

Stainless Steel Bracket



Included Mounting

The each fixture in the MAR Series from Vision X comes equipped with a high-strength stainless steel bracket that gives the light extra protection against saltwater corrosion.

Copper Plated Board



Anti-corrosion

The Maritime products from Vision X feature a copper electronic board to eliminate any chance of corrosion. Additionally, the copper board helps reduce above-ground CISPR

Above Ground Maritime



Saltwater Protection

The unique gloss coating used on Maritime products from Vision X Greatly reduces the dramatic impact that saltwater has on traditional lighting fixture housing