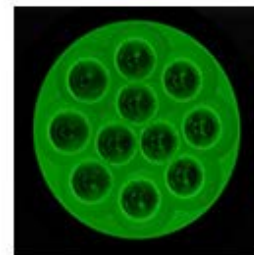
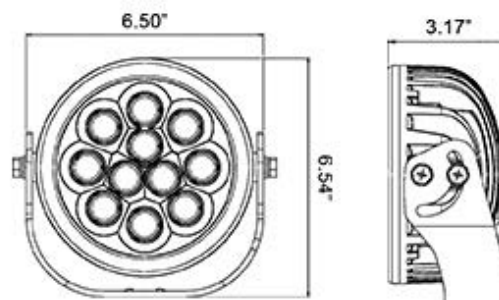


Explorer 11 LED Mobile Light



Latest Generation Standard From Factor Light

The MAR Explorer 11 LED builds upon Marine Lights's Success in the 6" Round form factor light market. Stainless steel bracket with upgraded electronics for marine use.

Explorer Series Usage Guide

Explorer 11: Direct 1 for 1 replacement for HID lighting on vehicles. The 60° beam allows for flood lighting on vehicle while the 40° beam replaces existing spot and low beam lighting

Technical Information

PART#	Beam Pattern	Raw Lumens	Dimensions	Weight	Wattage
MAR-EPX1110	10° Narrow	5,808 lm(ea)	167/168/80.6 mm	2.25 kg	55 Watt
MAR-EPX1125	25° Medium	5,808 lm(ea)	167/168/80.6 mm	2.25 kg	55 Watt
MAR-EPX1140	40° Wide	5,808 lm(ea)	167/168/80.6 mm	2.25 kg	55 Watt
MAR-EPX1160	60° Extra Wide	5,808 lm(ea)	167/168/80.6 mm	2.25 kg	55 Watt
MAR-EPX1190	90° Xtreme Wide	5,808 lm(ea)	167/168/80.6 mm	2.25 kg	55 Watt
MAR-EPX11E3065	30x65° Elliptical	5,808 lm(ea)	167/168/80.6 mm	2.25 kg	55 Watt



Features

- ▶ CISPR 25 Rated For Marine Use
- ▶ Single Bolt Mounting
- ▶ Stainless Steel Trunnion Bracket

Stainless Steel Bracket



Included Mounting

The each fixture in the MAR Series from Vision X comes equipped with a high-strength stainless steel bracket that gives the light extra protection against saltwater corrosion.

Copper Plated Board



Anti-corrosion

The Maritime products from Vision X feature a copper electronic board to eliminate any chance of corrosion. Additionally, the copper board helps reduce above-ground CISPR

Above Ground Maritime



Saltwater Protection

The unique gloss coating used on Maritime products from Vision X Greatly reduces the dramatic impact that saltwater has on traditional lighting fixture housing