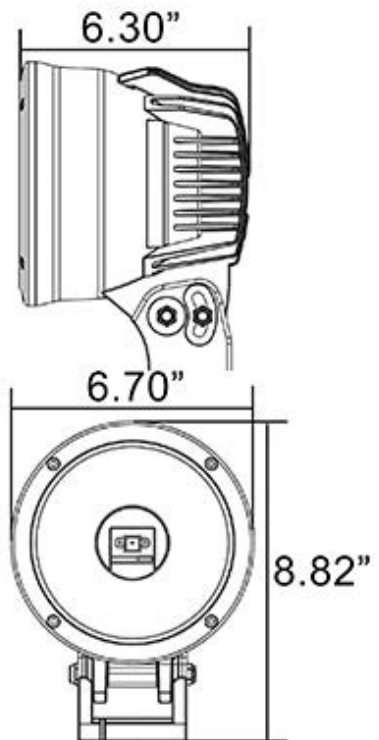


## Cannon 50 Watt



### Single Source LED with IRIS Reflector Produces Over 2500' of Usable Light

50 Watt Cannon Series The Cannon LED Light is the first of its kind to combine a traditional form factor light with the power of a 50 Watt single LED for use on bumpers, light bars and more.

# Cannon Series Usage Guide

## IRIS REFLECTOR ACHIEVES 2500'

The proprietary IRIS Reflector is the first of its kind in the LED market. With IRIS technology, a single 50 Watt LED is able to achieve unmatched distance and intensity with over 2500 feet of usable light.

## 25 WATT AND 50 WATT SINGLE SOURCE LED

Vision X has teamed up with Luminus to offer the first single-source 25 Watt and 50 Watt LED powered lights.

## HYBRID ALUMINUM POLY CARBONATE HOUSING

The Light Cannon features a housing engineered with both aluminum for increased strength and poly carbonate to reduce weight.

## UNIVERSAL SINGLE BOLT MOUNTING

Designed for simple installation, the LED Light Cannon features a sturdy, single-bolt universal mounting system.

## STANDARD FORM FACTOR

The Light Cannon LED combines the benefits of LED lighting, including low power consumption and 50,000 hour lifespan, with the standard form factor of a traditional HID or Halogen light.

## MULTIPLE CONFIGURATIONS

With 13 available covers for the Light Cannon, multiple configurations are available including euro and flood beam covers as well as amber, red, blue, clear and black covers for different conditions.

## Technical Information

PART#	Beam Pattern	Raw Lumens	Dimensions	Weight	Wattage
CTL-CPZ610	10° Narrow	3,200 lm(ea)	170/160/224 mm	2.5 kg	50 Watt
CTL-CPZ610KIT	10° Narrow	3,200 lm(x2)	170/160/224 mm	2.5 kg (x2)	50 Watt (x2)
CTL-CPZ620	20° Medium	3,200 lm(ea)	170/160/224 mm	2.5 kg	50 Watt
CTL-CPZ620KIT	20° Medium	3,200 lm(x2)	170/160/224 mm	2.5 kg (x2)	50 Watt (x2)



# Features

- ▶ Kits with Two Lights and Harness Available
- ▶ First of its Kind Single Source 50 Watt LED
- ▶ CTL-CPZ620 Model is E-Mark Approved
- ▶ Ultra Lightweight Hybrid Construction
- ▶ Weatherproof Deutsch Connector
- ▶ Advanced Heat Sink Design
- ▶ Polycarbonate Lens
- ▶ Patent Pending

## Available Cover Colors

### **Clear Covers**

The clear polycarbonate cover provides protection from the elements while out on the trail or on the dunes. Clear covers are also available in euro and flood configurations

### **Blue Covers**

The blue polycarbonate cover optimizes the Cannon for driving on snow. Blue covers are also available in euro and flood configurations.

**Yellow Covers** The yellow polycarbonate cover optimizes the Cannon for driving in heavy fog by removing the blue light waves to reduce glare back at the driver. Yellow covers are also available in euro and flood configurations.

### **Red Covers**

The red polycarbonate cover optimizes the Cannon for driving in heavy dust by penetrating particulate in the air. Red covers are also available in euro and flood configurations.

### **Black Covers**

The black out covers allow for street legal applications and operate as a safety indicator by glowing in the dark.



## Available Cover Beams

### **Protective Cover**

Transparent polycarbonate covers provide increase protection for Light Cannon from harsh conditions.

### **Euro Cover**

The flat horizontal beam is designed to provide both peripheral and forward lighting while staying out of the eyes of oncoming traffic.

### **Trail Flood Cover**

The Trail Flood beam pattern is designed to illuminate from the bottom of the ditch to the tree tops while trail riding. This low speed flood lights upcoming trail hazards.