

LED Flood Light

FL-LED-0110-nw

LED Flood Light - 10 W / 800 lm



The LED Flood Light is an instant-on, surface mounted fixture designed for applications that need more light or have higher mounting heights. Solid state lighting technology is extremely energy efficient and very low maintenance even in the harshest of installations.



Product data

• General information

Product family	FL-LED-0110-nw
Light source	10 W Bridgelux SMD LED
Beam angle	100 degrees
PSU included	Yes
Ingress protection	IP 65
Impact protection	IK 10
Mounting methode	Bracket
Certification	CE & RoHS

• Mechanical

Material of lamp shell	Aluminium
Cooling	Fins
Cable	3 x 1.5 mm ²
Connection type	Cold pressed terminal
Colour	Black / aluminium
Product size	133 x 179 x 57 mm

• Light characteristics

LED luminous efficiency	80 lm/W
Avg. luminous flux output	800 lm
Color temperature (CCT)	Neutral White 4000 K
Color rendering index (CRI)	CRI > 70
Std. deviation color matching	MacAdam 1-3
Lifetime to 70% luminous flux	50000 hr

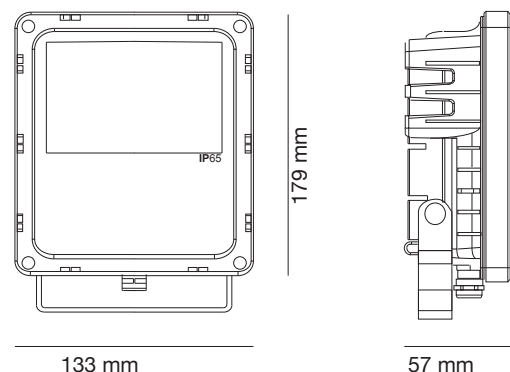
• Transport data

Net weight per piece	0.7 kg/each
Pieces per pack	1
Packs per outer carton	40
Gross weight	28 kg/carton
Package size	595 x 370 x 450 mm

• Electrical

Input voltage	AC 90 ~ 264 V
Frequency range of PSU	50 Hz ~ 60 Hz
Total harmonic distortion	< 9%
Power factor	> 0.6
Power efficiency	> 0.82
LED power consumption	10 W
System power consumption	12 W

• Dimensional drawing



LED Flood Light

FL-LED-0120-nw

LED Flood Light - 20 W / 1600 lm



The LED Flood Light is an instant-on, surface mounted fixture designed for applications that need more light or have higher mounting heights. Solid state lighting technology is extremely energy efficient and very low maintenance even in the harshest of installations.



Product data

• General information

Product family	FL-LED-0120-nw
Light source	20 W Bridgelux SMD LED
Beam angle	100 degrees
PSU included	Yes
Ingress protection	IP 65
Impact protection	IK 10
Mounting methode	Bracket
Certification	CE & RoHS

• Mechanical

Material of lamp shell	Aluminium
Cooling	Fins
Cable	3 x 1.5 mm ²
Connection type	Cold pressed terminal
Colour	Black / aluminium
Product size	166 x 201 x 77 mm

• Light characteristics

LED luminous efficiency	80 lm/W
Avg. luminous flux output	1600 lm
Color temperature (CCT)	Neutral White 4000 K
Color rendering index (CRI)	CRI > 80
Std. deviation color matching	MacAdam 1-3
Lifetime to 70% luminous flux	50000 hr

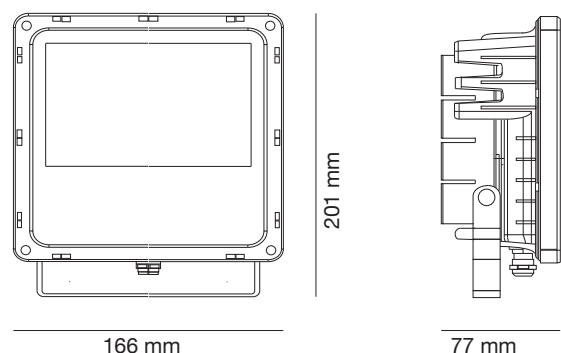
• Transport data

Net weight per piece	1.0 kg/each
Pieces per pack	1
Packs per outer carton	16
Gross weight	17 kg/carton
Package size	530 x 465 x 510 mm

• Electrical

Input voltage	AC 90 ~ 264 V
Frequency range of PSU	50 Hz ~ 60 Hz
Total harmonic distortion	< 9%
Power factor	> 0.95
Power efficiency	> 84%
LED power consumption	20 W
System power consumption	23 W

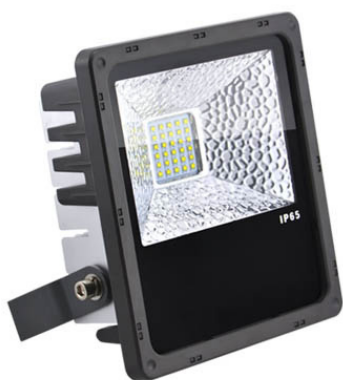
• Dimensional drawing



LED Flood Light

FL-LED-0130-nw

LED Flood Light - 30 W / 2400 lm



The LED Flood Light is an instant-on, surface mounted fixture designed for applications that need more light or have higher mounting heights. Solid state lighting technology is extremely energy efficient and very low maintenance even in the harshest of installations.



Product data

• General information

Product family	FL-LED-0130-nw
Light source	30 W Bridgelux SMD LED
Beam angle	100 degrees
PSU included	Yes
Ingress protection	IP 65
Impact protection	IK 10
Mounting methode	Bracket
Certification	CE & RoHS

• Mechanical

Material of lamp shell	Aluminium
Cooling	Fins
Cable	3 x 1.5 mm ²
Connection type	Cold pressed terminal
Colour	Black / aluminium
Product size	178 x 215 x 81 mm

• Light characteristics

LED luminous efficiency	80 lm/W
Avg. luminous flux output	2400 lm
Color temperature (CCT)	Neutral White 4000 K
Color rendering index (CRI)	CRI > 80
Std. deviation color matching	MacAdam 1-3
Lifetime to 70% luminous flux	50000 hr

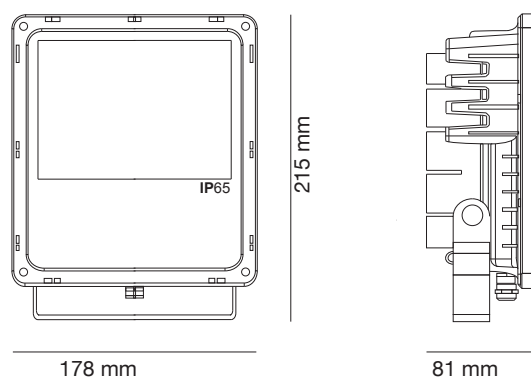
• Transport data

Net weight per piece	1.4 kg/each
Pieces per pack	1
Packs per outer carton	20
Gross weight	29 kg/carton
Package size	635 x 490 x 550 mm

• Electrical

Input voltage	AC 90 ~ 264 V
Frequency range of PSU	50 Hz ~ 60 Hz
Total harmonic distortion	< 9%
Power factor	> 0.9
Power efficiency	> 85%
LED power consumption	30 W
System power consumption	34 W

• Dimensional drawing



LED Flood Light

FL-LED-0150-nw

LED Flood Light - 50 W / 4690 lm



The LED Flood Light is an instant-on, surface mounted fixture designed for applications that need more light or have higher mounting heights. Solid state lighting technology is extremely energy efficient and very low maintenance even in the harshest of installations.



Product data

• General information

Product family	FL-LED-0150-nw
Light source	50 W Bridgelux SMD LED
Beam angle	100 degrees
PSU included	Yes
Ingress protection	IP 65
Impact protection	IK 10
Mounting methode	Bracket
Certification	CE & RoHS

• Mechanical

Material of lamp shell	Aluminium
Cooling	Fins
Cable	3 x 1.5 mm ²
Connection type	Cold pressed terminal
Colour	Black / aluminium
Product size	166 x 194 x 95 mm

• Light characteristics

LED luminous efficiency	80 lm/W
Avg. luminous flux output	4690 lm
Color temperature (CCT)	Neutral White 4000 K
Color rendering index (CRI)	CRI > 80
Std. deviation color matching	MacAdam 1-3
Lifetime to 70% luminous flux	50000 hr

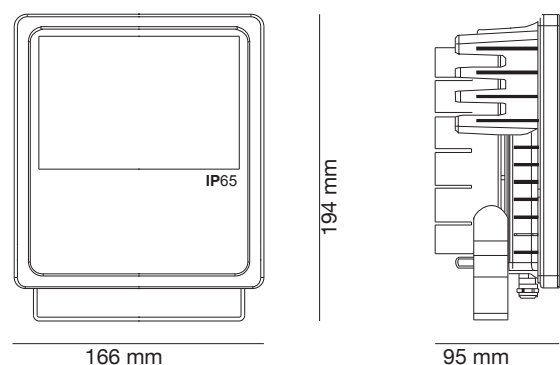
• Transport data

Net weight per piece	2.0 kg/each
Pieces per pack	1
Packs per outer carton	12
Gross weight	25 kg/carton
Package size	635 x 540 x 455 mm

• Electrical

Input voltage	AC 90 ~ 264 V
Frequency range of PSU	50 Hz ~ 60 Hz
Total harmonic distortion	< 9%
Power factor	> 0.9
Power efficiency	> 87%
LED power consumption	50 W
System power consumption	54 W

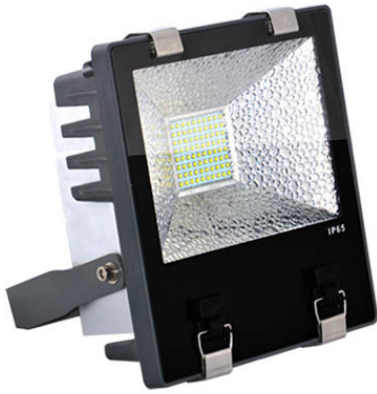
• Dimensional drawing



LED Flood Light

FL-LED-0170-nw

LED Flood Light - 70 W / 5600 lm



The LED Flood Light is an instant-on, surface mounted fixture designed for applications that need more light or have higher mounting heights. Solid state lighting technology is extremely energy efficient and very low maintenance even in the harshest of installations.



Product data

• General information

Product family	FL-LED-0170-nw
Light source	70 W Bridgelux SMD LED
Beam angle	100 degrees
PSU included	Yes
Ingress protection	IP 65
Impact protection	IK 10
Mounting methode	Bracket
Certification	CE & RoHS

• Mechanical

Material of lamp shell	Aluminium
Cooling	Fins
Cable	3 x 1.5 mm ²
Connection type	Cold pressed terminal
Colour	Black / aluminium
Product size	250 x 291 x 116 mm

• Light characteristics

LED luminous efficiency	80 lm/W
Avg. luminous flux output	5600 lm
Color temperature (CCT)	Neutral White 4000 K
Color rendering index (CRI)	CRI > 80
Std. deviation color matching	MacAdam 1-3
Lifetime to 70% luminous flux	50000 hr

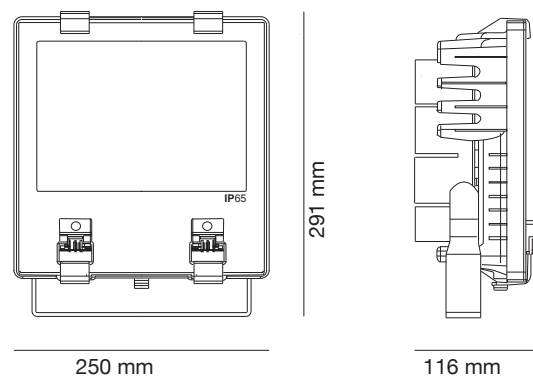
• Transport data

Net weight per piece	3.2 kg/each
Pieces per pack	1
Packs per outer carton	4
Gross weight	13.8 kg/carton
Package size	700 x 395 x 385 mm

• Electrical

Input voltage	AC 90 ~ 264 V
Frequency range of PSU	50 Hz ~ 60 Hz
Total harmonic distortion	< 9%
Power factor	> 0.95
Power efficiency	> 88%
LED power consumption	70 W
System power consumption	74 W

• Dimensional drawing



LED Flood Light

FL-LED-02100-nw

LED Flood Light - 100 W / 8800 lm



The LED Flood Light is an instant-on, surface mounted fixture designed for applications that need more light or have higher mounting heights. Solid state lighting technology is extremely energy efficient and very low maintenance even in the harshest of installations.



Product data

• General information

Product family	FL-LED-02100-nw
Light source	100 W Bridgelux SMD LED
Beam angle	100 degrees
PSU included	Yes
Ingress protection	IP 65
Impact protection	IK 10
Mounting methode	Bracket
Certification	CE & RoHS

• Mechanical

Material of lamp shell	Aluminium
Cooling	Fins + copper heat pipe
Cable	3 x 1.5 mm ²
Connection type	Cold pressed terminal
Colour	Black / aluminium
Product size	250 x 309 x 192 mm

• Light characteristics

LED luminous efficiency	85 lm/W
Avg. luminous flux output	8800 lm
Color temperature (CCT)	Neutral White 4000 K
Color rendering index (CRI)	CRI > 80
Std. deviation color matching	MacAdam 1-3
Lifetime to 70% luminous flux	50000 hr

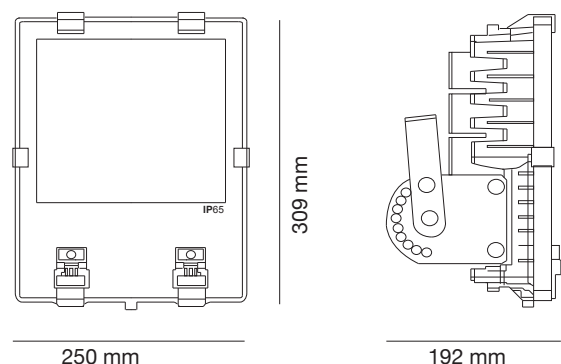
• Transport data

Net weight per piece	3.9 kg/each
Pieces per pack	1
Packs per outer carton	4
Gross weight	24 kg/carton
Package size	730 x 420 x 545 mm

• Electrical

Input voltage	AC 90 ~ 305 V
Frequency range of PSU	50 Hz ~ 60 Hz
Total harmonic distortion	< 9%
Power factor	> 0.9
Power efficiency	> 0.9
LED power consumption	100 W
System power consumption	104 W

• Dimensional drawing



LED Flood Light

FL-LED-02120-nw

LED Flood Light - 120 W / 11840 lm

The LED Flood Light is an instant-on, surface mounted fixture designed for applications that need more light or have higher mounting heights. Solid state lighting technology is extremely energy efficient and very low maintenance even in the harshest of installations.



Product data

• General information

Product family	FL-LED-02120-nw
Light source	120 W Bridgelux SMD LED
Beam angle	100 degrees
PSU included	Yes
Ingress protection	IP 65
Impact protection	IK 10
Mounting methode	Bracket
Certification	CE & RoHS

• Mechanical

Material of lamp shell	Aluminium
Cooling	Fins + copper heat pipe
Cable	3 x 1.5 mm ²
Connection type	Cold pressed terminal
Colour	Black / aluminium
Product size	310 x 315 x 187 mm

• Light characteristics

LED luminous efficiency	85 lm/W
Avg. luminous flux output	11840 lm
Color temperature (CCT)	Neutral White 4000 K
Color rendering index (CRI)	CRI > 80
Std. deviation color matching	MacAdam 1-3
Lifetime to 70% luminous flux	50000 hr

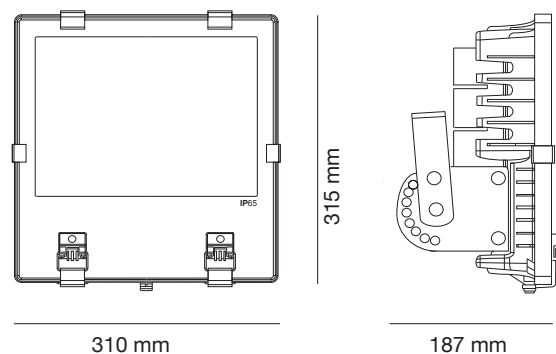
• Transport data

Net weight per piece	6.4 kg/each
Pieces per pack	1
Packs per outer carton	14 kg/carton
Gross weight	430 x 430 x 600 mm
Package size	

• Electrical

Input voltage	AC 90 ~ 305 V
Frequency range of PSU	50 Hz ~ 60 Hz
Total harmonic distortion	< 9%
Power factor	> 0.9
Power efficiency	> 0.9
LED power consumption	120 W
System power consumption	124 W

• Dimensional drawing



LED Flood Light

FL-LED-02150-nw

LED Flood Light - 150 W / 12900 lm



The LED Flood Light is an instant-on, surface mounted fixture designed for applications that need more light or have higher mounting heights. Solid state lighting technology is extremely energy efficient and very low maintenance even in the harshest of installations.



Product data

• General information

Product family	FL-LED-02150-nw
Light source	150 W Bridgelux SMD LED
Beam angle	100 degrees
PSU included	Yes
Ingress protection	IP 65
Impact protection	IK 10
Mounting methode	Bracket
Certification	CE & RoHS

• Mechanical

Material of lamp shell	Aluminium
Cooling	Fins + copper heat pipe
Cable	3 x 1.5 mm ²
Connection type	Cold pressed terminal
Colour	Black / aluminium
Product size	310 x 375 x 187 mm

• Light characteristics

LED luminous efficiency	85 lm/W
Avg. luminous flux output	12900 lm
Color temperature (CCT)	Neutral White 4000 K
Color rendering index (CRI)	CRI > 80
Std. deviation color matching	MacAdam 1-3
Lifetime to 70% luminous flux	50000 hr

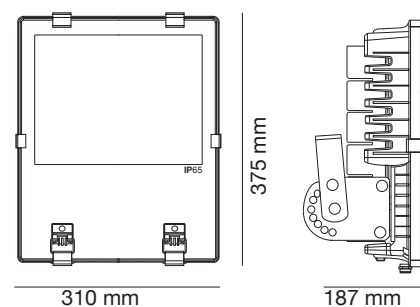
• Transport data

Net weight per piece	7.2 kg/each
Pieces per pack	1
Packs per outer carton	2
Gross weight	16 kg/carton
Package size	485 x 430 x 600 mm

• Electrical

Input voltage	AC 90 ~ 305 V
Frequency range of PSU	50 Hz ~ 60 Hz
Total harmonic distortion	< 9%
Power factor	> 0.9
Power efficiency	> 0.9
LED power consumption	150 W
System power consumption	155 W

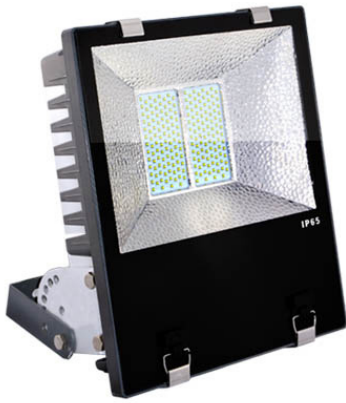
• Dimensional drawing



LED Flood Light

FL-LED-02200-nw

LED Flood Light - 200 W / 16500 lm



The LED Flood Light is an instant-on, surface mounted fixture designed for applications that need more light or have higher mounting heights. Solid state lighting technology is extremely energy efficient and very low maintenance even in the harshest of installations.



Product data

• General information

Product family	FL-LED-02200-nw
Light source	200 W Bridgelux SMD LED
Beam angle	100 degrees
PSU included	Yes
Ingress protection	IP 65
Impact protection	IK 10
Mounting methode	Bracket
Certification	CE & RoHS

• Mechanical

Material of lamp shell	Aluminium
Cooling	Fins + copper heat pipe
Cable	3 x 1.5 mm ²
Connection type	Cold pressed terminal
Colour	Black / aluminium
Product size	340 x 400 x 121mm

• Light characteristics

LED luminous efficiency	85 lm/W
Avg. luminous flux output	16500 lm
Color temperature (CCT)	Neutral White 4000 K
Color rendering index (CRI)	CRI > 80
Std. deviation color matching	MacAdam 1-3
Lifetime to 70% luminous flux	50000 hr

• Transport data

Net weight per piece	8.7 kg/each
Pieces per pack	1
Packs per outer carton	2
Gross weight	18 kg/carton
Package size	490 x 440 x 575 mm

• Electrical

Input voltage	AC 90 ~ 305 V
Frequency range of PSU	50 Hz ~ 60 Hz
Total harmonic distortion	< 9%
Power factor	> 0.95
Power efficiency	> 88%
LED power consumption	200 W
System power consumption	205 W

• Dimensional drawing

