

WEATHERPROOF FLOODLIGHTS FOR DISCHARGE LAMPS

Explosion Proof Electrical Equipment



Weatherproof Lighting

SFDA

Installation : Safe Area
Insulation Class : I

SFDA



Concentrating

Asymmetric

Symmetric



	FLOODLIGHT
	CEI / EN
EXECUTION	INDUSTRIAL WEATHERPROOF
AMBIENT TEMPERATURE	-
PROTECTION DEGREE	IP66
CERTIFICATE REF.	-
RULES OF COMPLIANCE	EN 60598-1 + A1; EN 60598-2-5

Mechanical characteristics

Body	marine grade copper free aluminum
Diffuser	tempered front glass
Support	steel bracket with rotation-proof system
Reflector	anodized and polished 99,85 pure aluminum internal optic
Painting	thermosetting polyester powder resistant to atmospheric agents and corrosion grey RAL 9006 colour
Screws	stainless steel
Gaskets	pure silicon heat resistance
Cable entry	complete with cable gland
Internal optic	(S) symmetric optic - (A)asymmetric optic - (C) concentrating beam optic

Electrical characteristics

Power supply	conventional ballast 230V - 50Hz (P.F. CORRECTED - $\cos \rho \geq 0,95$)
Lampholders	porcelain E40 size
Internal wiring	high-temperature resistant silicon rubber insulation cables
Terminals	suitable up to 4 sq/mm cables

ON REQUEST ACCESSORIES:

- Control gear with voltage supply different than standard
- Threaded cable entry different than standard
- Ready for serial configuration through a second cable gland
- Internal optic definition under the symbol (S - A - C) to be added to the product code

SFDA Technical data

CODE	LAMP	TEMPERATURE CLASS (GAS)	TEMPERATURE CLASS (DUSTS)	LAMPHOLDER SIZE	CABLE ENTRY WITH CABLE GLAND	DETAIL
------	------	-------------------------	---------------------------	-----------------	------------------------------	--------

FLOODLIGHT FOR HIGH PRESSURE MERCURY VAPOUR LAMP - POWER SUPPLY 230V 50Hz

SFDA#250HG-(1)	250 W	-	-	E-40	1 x PCE M20	A
SFDA#400HG-(1)	400 W	-	-	E-40	1 x PCE M20	A

FLOODLIGHT FOR METAL HALIDE LAMP - POWER SUPPLY 230V 50Hz

SFDA#150MH-(1)	150 W	-	-	E-40	1 x PCE M20	A
SFDA#250MH-(1)	250 W	-	-	E-40	1 x PCE M20	A
SFDA#400MH-(1)	400 W	-	-	E-40	1 x PCE M20	A

FLOODLIGHT FOR HIGH PRESSURE SODIUM LAMP - POWER SUPPLY 230V 50Hz

SFDA#150HPNA-(1)	150 W	-	-	E-40	1 x PCE M20	A
SFDA#250HPNA-(1)	250 W	-	-	E-40	1 x PCE M20	A
SFDA#400HPNA-(1)	400 W	-	-	E-40	1 x PCE M20	A

(1) INTERNAL OPTICAL BEAM: (S) SYMMETRIC BEAM - (A) ASYMMETRIC BEAM - (C) CONCENTRATING BEAM

SAMPLE: SFDA#400MH-S = FLOODLIGHT 400W METAL HALIDE WITH SYMMETRIC OPTICAL BEAM

SFDA Technical features

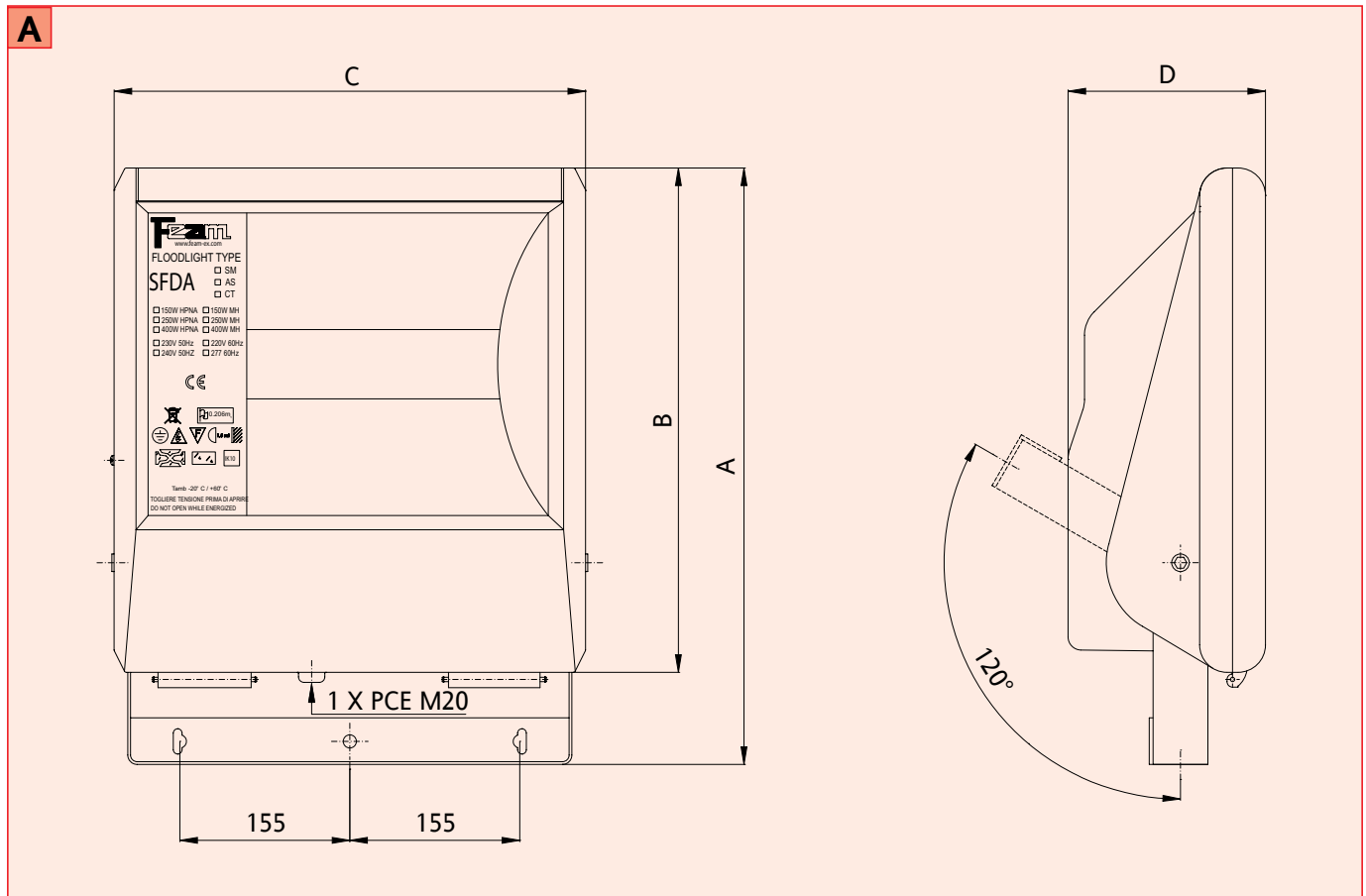
CODE	A [mm]	B [mm]	C [mm]	D [mm]	WEIGHT [Kg]	CABLE ENTRY	DETAIL
SFDA#250HG-(1)	544	461	430	180	8,80	1 x PCE M20	A
SFDA#400HG-(1)	544	461	430	180	9,10	1 x PCE M20	A
SFDA#150MH-(1)	544	461	430	180	9,50	1 x PCE M20	A
SFDA#250MH-(1)	544	461	430	180	9,70	1 x PCE M20	A
SFDA#400MH-(1)	544	461	430	180	11,00	1 x PCE M20	A
SFDA#150HPNA-(1)	544	461	430	180	10,50	1 x PCE M20	A
SFDA#250HPNA-(1)	544	461	430	180	11,10	1 x PCE M20	A
SFDA#400HPNA-(1)	544	461	430	180	12,30	1 x PCE M20	A

(1) INTERNAL OPTICAL BEAM: (S) SYMMETRIC BEAM - (A) ASYMMETRIC BEAM - (C) CONCENTRATING BEAM

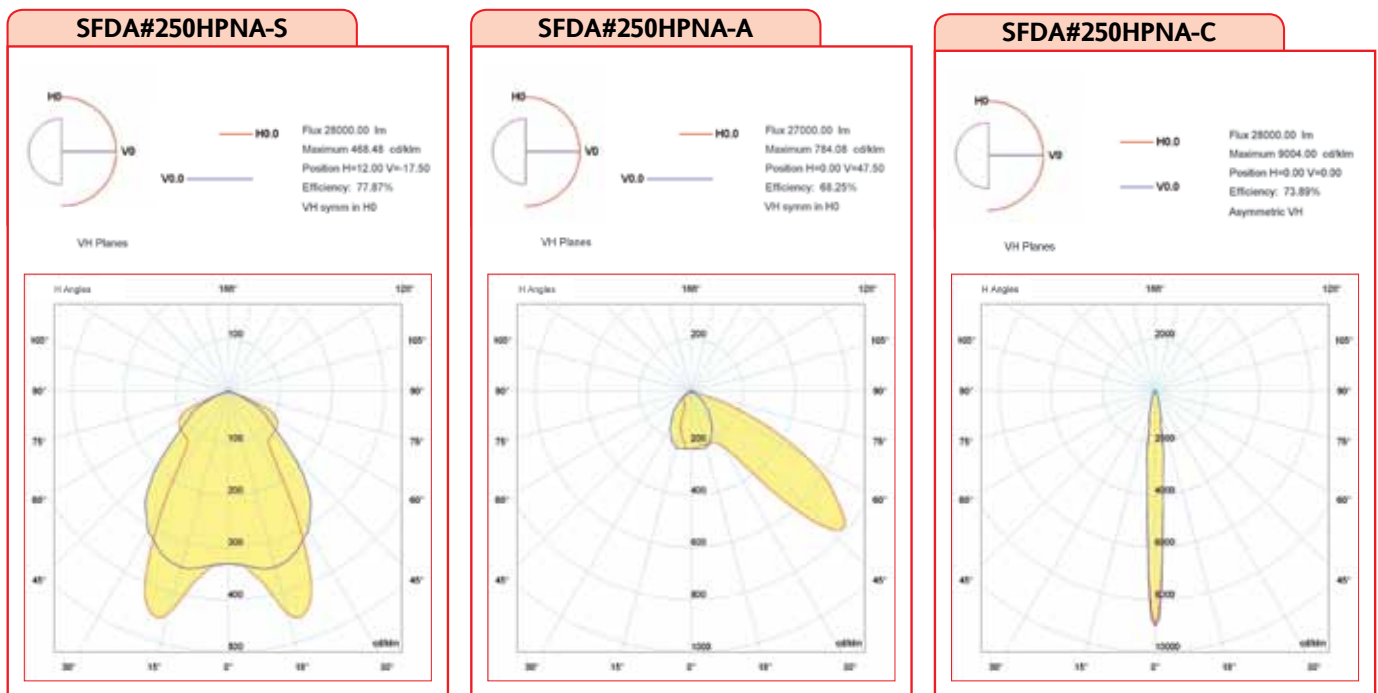
SAMPLE: SFDA#400MH-S = FLOODLIGHT 400W METAL HALIDE WITH SYMMETRIC OPTICAL BEAM

SFDA Technical features

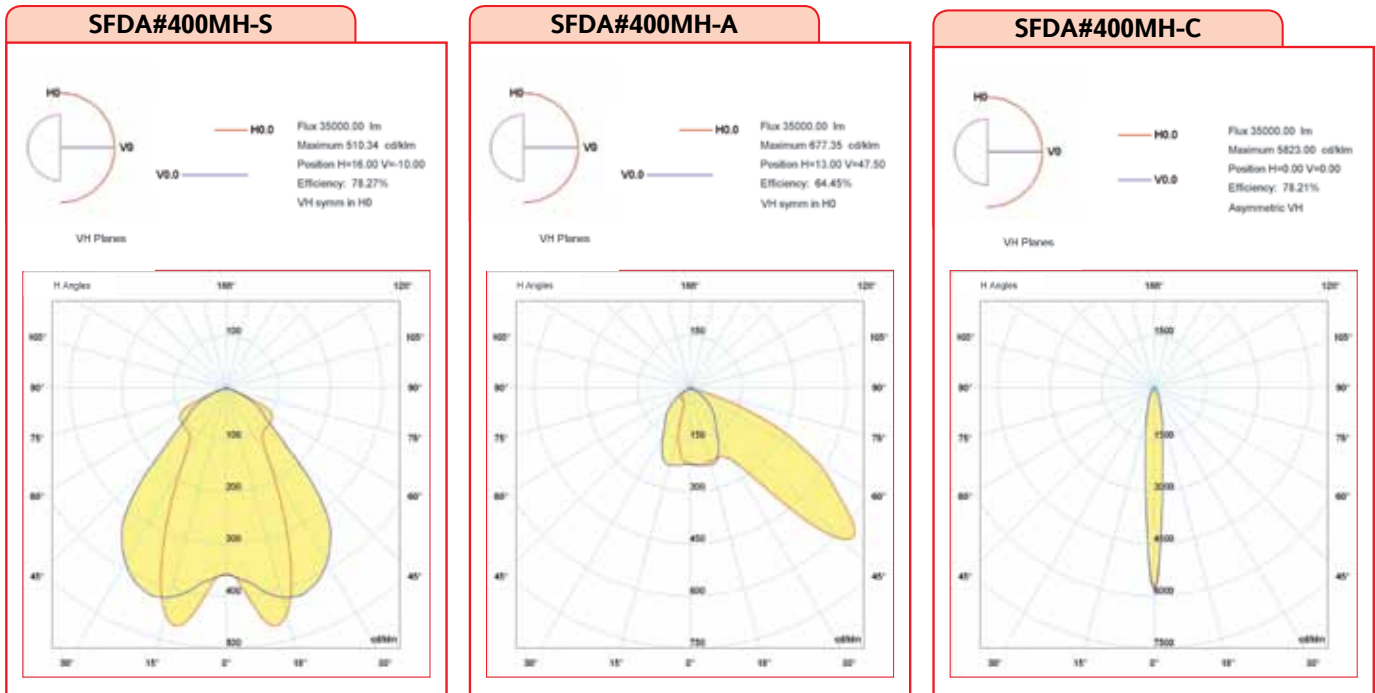
Reference details



SFDA Polar diagrams – photometric data



SFDA Polar diagrams – photometric data

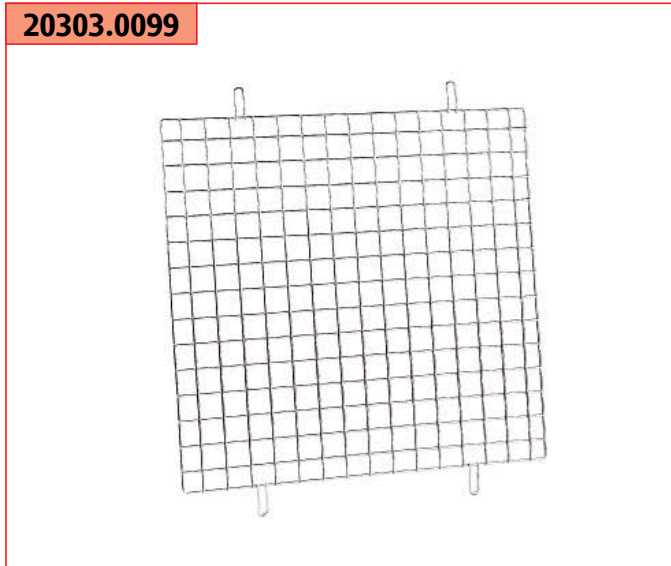


SFDA On request accessories

CODE	DESCRIPTION	MATERIAL
20303.0099	PROTECTION GRID	ALUMINIUM
20303.0100	POLE ADAPTER FOR DIA 40÷60MM	PAINTED STEEL

Protection grid

20303.0099



Pole adapter

20303.0100



REMARK:

Due to the development of the national and international specifications and of the technology, the above technical characteristics showed on this bulletin can be considered as binding on our confirmation only.