

# FLOODLIGHTS FOR LED LAMPS

Explosion Proof Electrical Equipment

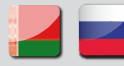


Ex Lighting

RCDE LED

**Installation:** hazardous areas - Zone 1 / 2 (Gases) - Zone 21 / 22 (Dusts)  
**Classification:** Group II - Category 2G 2D

## RCDE LED



	FLOODLIGHT				
	ATEX 94/9/EC	IEC Ex	INMETRO	GOST-R (RTR/RTN)	GOST-K
<b>EXECUTION</b>	⊕ II 2 G Ex db IIC T4 II 2 D Ex tb IIIC T135°C...T230 °C	Ex db IIC T4 Ex tb IIIC T135°C...T230 °C	Ex db IIC T4 Ex tb IIIC T135°C...T230 °C	1Ex d IIC T6 T4...T2X Ex tD A21 T135...230°C	1Ex d IIC T6 T4...T2X Ex tD A21 T135...230°C
<b>AMBIENT TEMP.</b>	-60°C ÷ +60°C	-60°C ÷ +60°C	-60°C ÷ +60°C	-60°C ÷ +52°C	-60°C ÷ +52°C
<b>PROTECTION DEGREE</b>	IP66	IP66	IP66	IP66	IP66
<b>CERTIFICATE REF.</b>	INERIS 03 ATEX 0004X	-	-	POCC IT. ME92.B02923	No. 07/43-269
<b>RULES OF COMPLIANCE</b>	EN 60079-0:2009; EN 60079-1:2007; EN 60079-7:2008; EN 60079-31:2009	IEC 60079-0:2007; IEC 60079-1:2007; IEC 60079-31:2008	ABNT NBR IEC 60079-0:2007-10; ABNT NBR IEC 60079-1:2007-04; ABNT NBR IEC 61242-31:2008-11	ГОСТ Р МЭК 60079-0:2011; ГОСТ Р МЭК 61241-0:2007; ГОСТ Р МЭК 61241-1:2004	ГОСТ Р 51330.0/1/8/14-99; ГОСТ Р МЭК 61241-1-1-2002

	CONTROL GEAR				
	ATEX 94/9/EC	IEC Ex	INMETRO	GOST-R (RTR/RTN)	GOST-K
<b>EXECUTION</b>	⊕ II 2 G Ex d IIC T6÷T3 Gb ⊕ 2 D Ex tb IIIC T85°C-T200°C Db	Ex d IIC T6÷T3 Gb Ex tb IIIC T85°C-T200°C Db	Ex d IIC T6÷T3 Gb Ex tb IIIC T85°C-T200°C Db	1Ex d IIC T6÷T3 X DIP A21 Ta (T85°C-T200°C)	1Ex d IIC T6÷T3 X DIP A21 Ta (T85°C-T200°C)
<b>AMBIENT TEMP.</b>	-60°C ÷ +60°C	-60°C ÷ +60°C	-60°C ÷ +60°C	-60°C ÷ +60°C	-60°C ÷ +60°C
<b>PROTECTION DEGREE</b>	IP66	IP66	IP66	IP66	IP66
<b>CERTIFICATE REF.</b>	INERIS 01 ATEX 0054X	-	-	POCC IT. ME92.B02923	No. 07/43-269
<b>RULES OF COMPLIANCE</b>	EN 60079-0:2009; EN 60079-1:2007; EN 60079-7:2008; EN 60079-31:2009	IEC 60079-0:2007; IEC 60079-1:2007; IEC 60079-31:2008	ABNT NBR IEC 60079-0:2007-10; ABNT NBR IEC 60079-1:2007-04; ABNT NBR IEC 61242-31:2008-11	ГОСТ Р МЭК 60079-0:2011; ГОСТ Р МЭК 61241-0:2007; ГОСТ Р МЭК 61241-1:2004;	ГОСТ Р 51330.0/1/8/14-99; ГОСТ Р МЭК 61241-1-1-2002

### Mechanical characteristics

Body	marine grade copper free aluminium
Diffuser	tempered front glass
Support	adjustable type hot dip galvanized steel
Reflector	internal polished aluminium
Painting	external epoxy powders grey RAL-9006 colour
Screws	external stainless steel
Gaskets	silicon rubber
Cable entry	3/4" NPT size threaded

### Electrical characteristics

Power supply	336W 90÷305V ±10% - 50/60Hz - (cos ρ ≥ 0,93)
Lamp type	42 LED by 8W(700mA) - luminous flux 700 mA 41000lm - LED type "cold white" Equivalent to 400W HPNA/MH lamp
Internal wiring	high-temperature resistant silicon rubber insulation cables
Terminals	suitable up to 4 sq/mm cables

### ON REQUEST ACCESSORIES:

- External painting colour on request
- Control gear with voltage supply different than standard
- Threaded cable entry different than standard

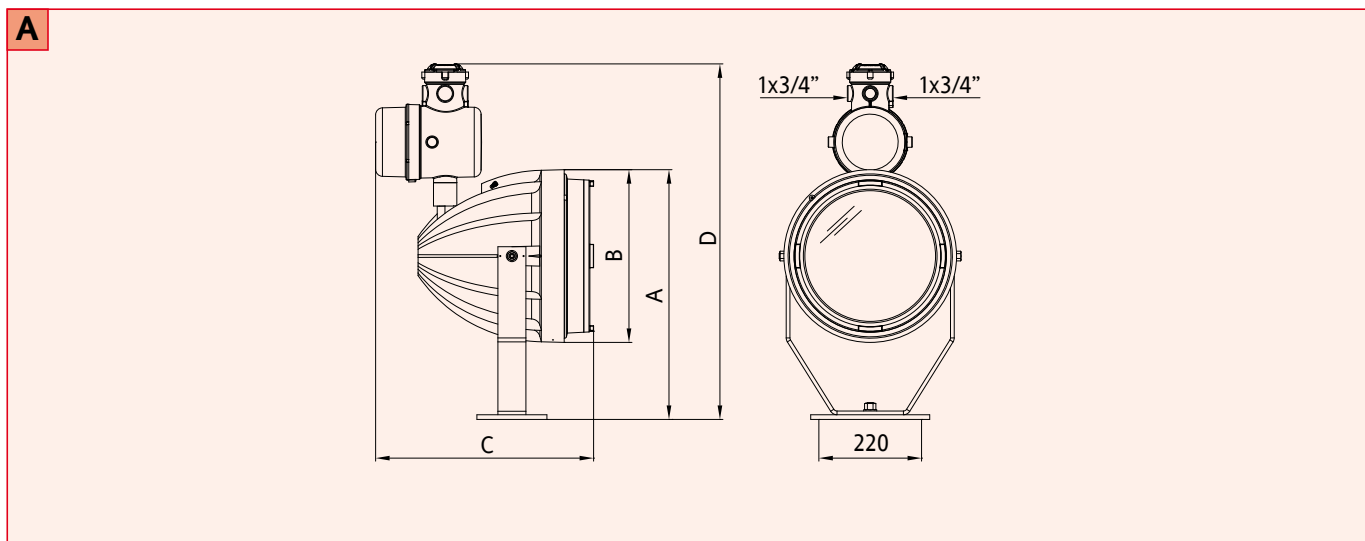
## RCDE LED Technical data

CODE	LAMP	TEMPERATURE CLASS (GAS)	TEMPERATURE CLASS (DUSTS)	LAMP TYPE	CABLE ENTRY SIZE	DETAIL
<b>FLOODLIGHTS FOR LED LAMP - POWER SUPPLY 120÷277V 50/60Hz</b>						
RCDE336LED	336 W	T4	T135°C	POWER LED	2 x 3/4"	A

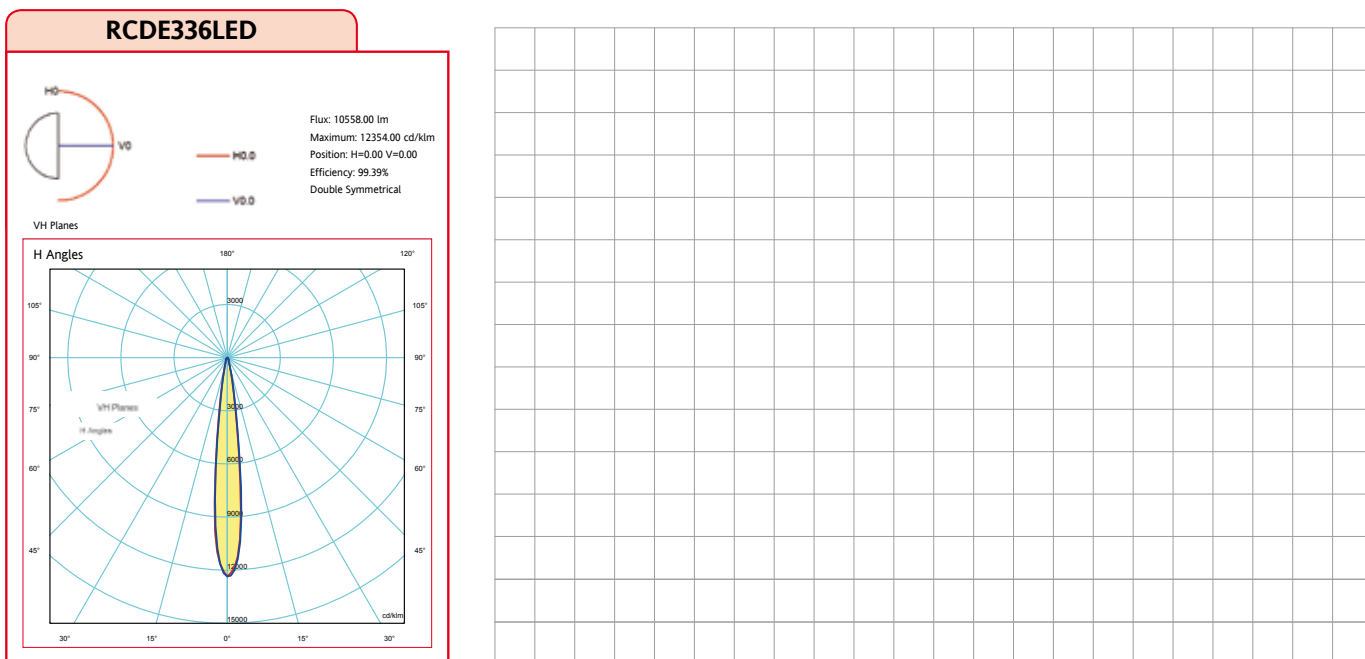
## RCDE LED Technical features

CODE	A [mm]	B [mm]	C [mm]	D [mm]	WEIGHT [Kg]	CABLE ENTRY	DETAIL
RCDE336LED	535	370	406	700	29,00	2 x 3/4"	A

### Reference details



## RCDE LED Polar diagrams – photometric data



**REMARK:**

Due to the development of the national and international specifications and of the technology, the above technical characteristics showed on this bulletin can be considered as binding on our confirmation only.